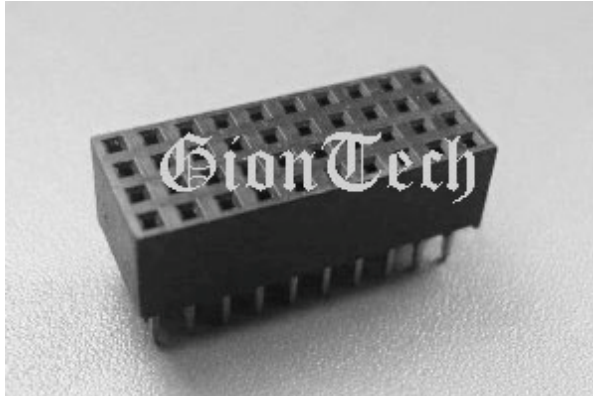


**2.0mm Triple/Four Row Female Header, Vertical, TH Type:**



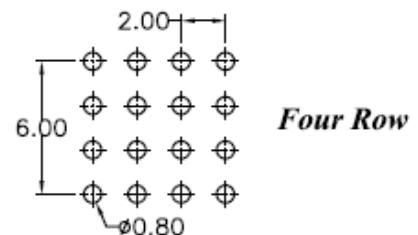
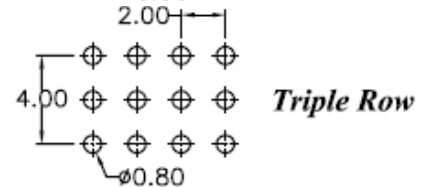
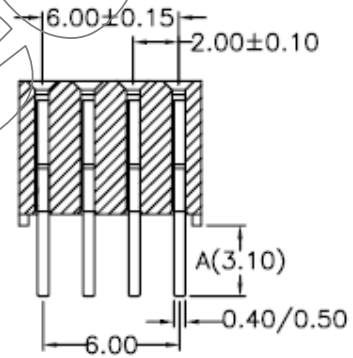
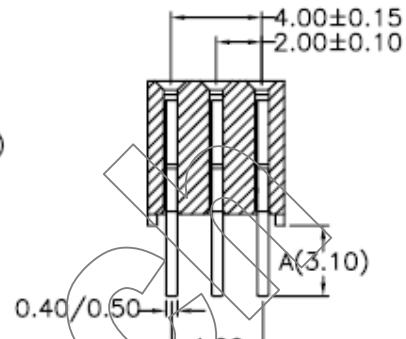
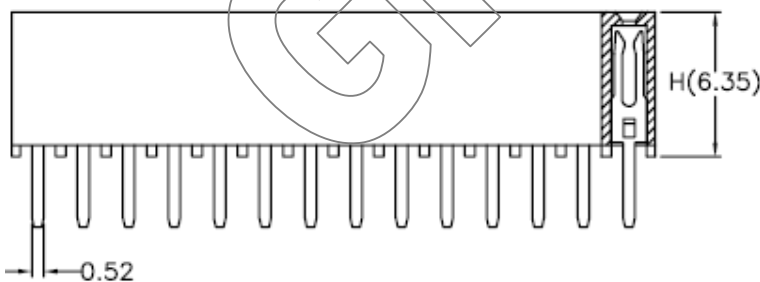
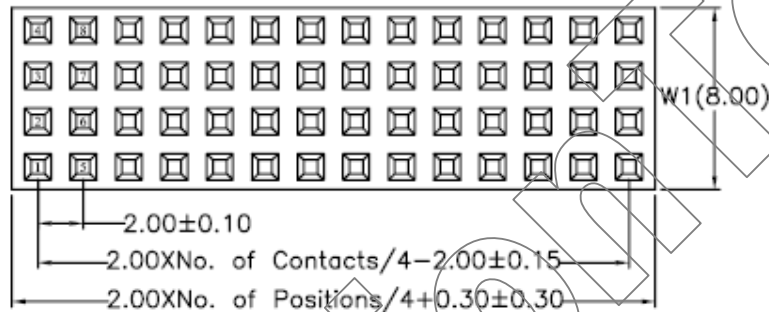
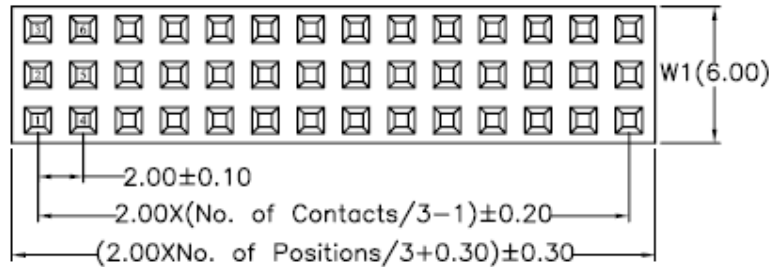
**SPECIFICATIONS**

Pitch:	2.0 mm
Number of contacts:	6 to 120 pins / 8 to 160 pins
Current Rating:	3.5A
Operating Temperature:	-55 °C ~+105 °C
Relative Humidity:	93%, +40 °C
Dielectric Withstanding:	450V AC/minute
Contact Resistance:	≤ 20 mΩ/Contact
Insulator Resistance:	≥ 1000 MΩ at 100V
Soldering Temperature:	230 °C, 30-60s max. 260 °C, 10s max.

Material:	
Base:	PBT/Nylon6T, UL94V-0
Contact Pin:	Copper Alloy
Contact Plating:	Au or Sn Over 50u" Ni

**ROHS Compliance**

**PHF2.0-3xXA (H=6.35) / PHF1.27-4xXA (H=6.35)**



Recommended PCB layout